



PARTS MANUAL

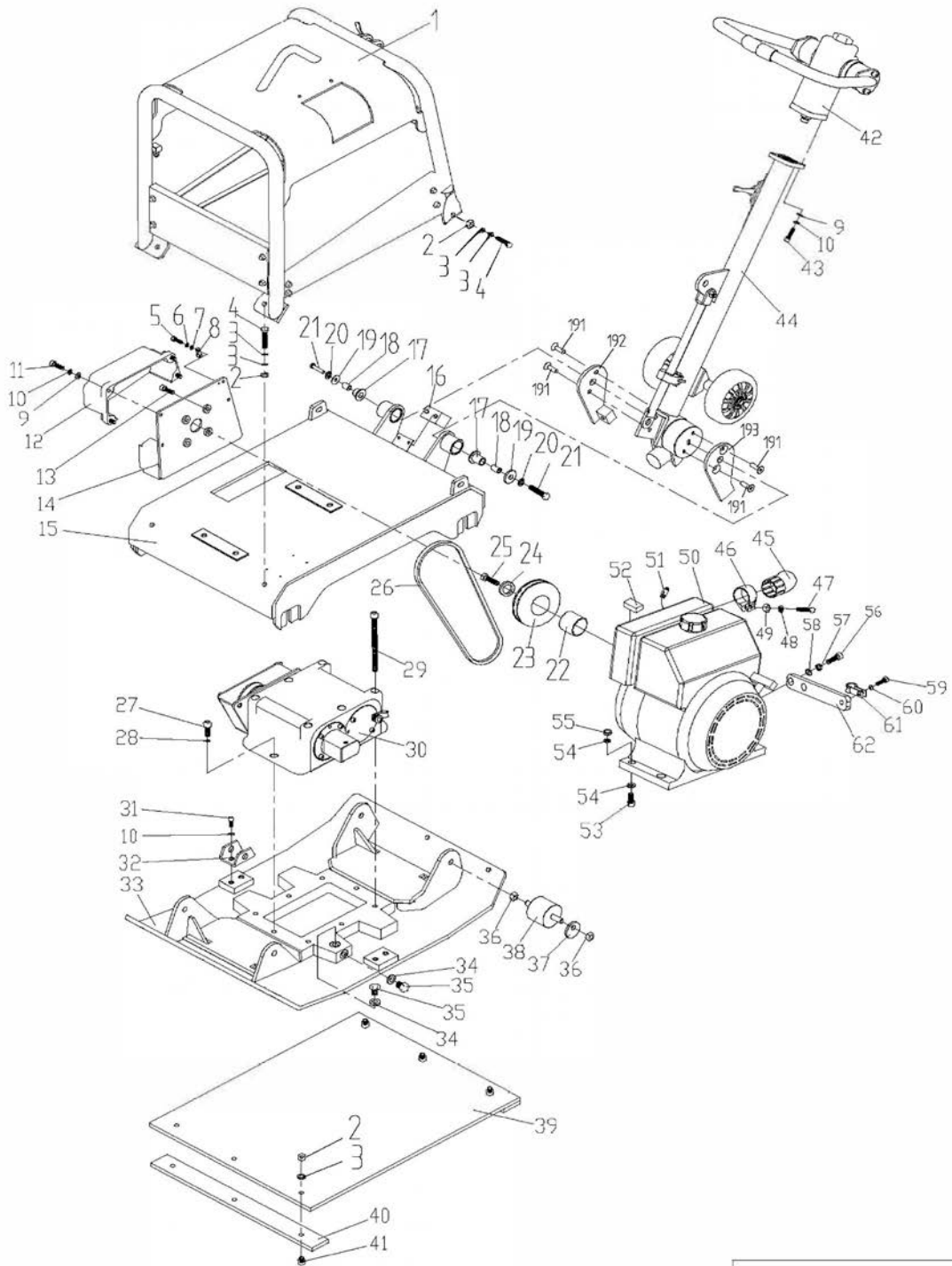
HYDRAULIC REVERSIBLE PLATE COMPACTOR

PCR5030SERIES



PARTS LIST BOM01-A
PCR5030 SERIES

GENERAL ASSEMBLY
PCR5030-BOM01-A



PCR5030-BOM01-A

PARTS LIST BOMO1-A

PCR5030 SERIES

GENERAL ASSEMBLY

PCR5030-BOM01-A

ITEM NO.	PART NO.	DESCRIPTION	ERP NO	QTY	REMARK
1	MH5030R.00.05G-B	PROTECTIVE FRAME	52701003	1	FOR GX200/EX17 PETROL ENGINE
	MH5030R.00.05L-A	PROTECTIVE FRAME	52703002	1	FOR LD350 DIESEL ENGINE
	MH5030.00.05Z	PROTECTIVE FRAME	41003100	1	FOR 1B30 DIESEL ENGINE
	MH5030R.00.05LE	PROTECTIVE FRAME	52704003	1	FOR ELECTRIC START LD350 DIESEL ENGINE
2	GB889.1-M12	LOCK NUT M12	20405007	11	
3	GB97.1-12	FLAT WASHER 12	20501010	16	
4	GB5783-M12x40	HEX HEAD SCREW M12x40	20102203	4	
5	GB70.1-M5x16	HEX HEAD SCREW M5x16	20306004	1	
6	GB93-5	SPRING WASHER 5	20509002	1	
7	GB97.1-5	FLAT WASHER 5	20501003	1	
8	JTKG-5	STRIP CLAMP	41406016	1	
9	GB97.1-8	FLAT WASHER 8	20501007	9	
10	GB93-8	SPRING WASHER 8	20509006	8	
11	GB70.1-M8x25	HEX HEAD SCREW M8x25	20306103	4	
12	MH5030R.00.09-01G	COVER	41205022	1	FOR GX200/EX17 PETROL ENGINE
	MH5030R.00.09-01L	COVER	41205023	1	FOR LD350、1B30 DIESEL ENGINE
	MH5030R.00.09LE	COVER	52704004	1	FOR ELECTRIC START LD350 DIESEL ENGINE
13	GB70.3-M8x25	HEX HEAD SCREW M8x25	20308109	6	FOR GX200/EX17 PETROL ENGINE (SX)
	MH4025R.00.35	SCREW	40401043	4	FOR GX200/EX17 PETROL ENGINE (QX)
	3/8-16UNC-2Ax1.25	THE IMPERIAL SCREWS	20109011	4	FOR LD350、ELECTRIC START LD350 DIESEL ENGINE
	GB5783-M10x25	HEX HEAD SCREW M10x25	20102152		FOR 1B30 DIESEL ENGINE
14	MH5030R.00.09-02G	BASE PLATE WELDING DRAWING	40303011	1	FOR GX200/EX17 PETROL ENGINE
	MH5030R.00.09-02L	BASE PLATE WELDING DRAWING	40303012	1	FOR LD350 DIESEL ENGINE
	MH5030R.00.09-02Z	BASE PLATE WELDING DRAWING	40303123	1	FOR 1B30 DIESEL ENGINE
	MH5030R.00.09-02LE	BASE PLATE WELDING DRAWING	40303039	1	FOR ELECTRIC START LD350 DIESEL ENGINE
15	MH5030R.00.03	ENGINE MOUNTING PLATE ASSY	40802003	1	FOR GX200/EX17 PETROL ENGINE, LD350 DIESEL ENGINE
	MH5030R.00.03Z	ENGINE MOUNTING PLATE ASSY	40802046	1	FOR 1B30 DIESEL ENGINE
	MH5030R.00.03LE	ENGINE MOUNTING PLATE ASSY	40802018	1	FOR ELECTRIC START LD350 DIESEL ENGINE
16	TAPG-215	CLAMP	41406025	1	
17	MH4025R.00.13	NYLON SLEEVE	41201059	2	
18	MH4025R.00.14	BUSHING	40504034	2	
19	MH4025R.00.24	HANDLE MOUNTING GASKET	40504035	2	

PARTS LIST BOMO1-A PCR5030 SERIES

GENERAL ASSEMBLY

PCR5030-BOM01-A

20	GB93-12	SPRING WASHER	20509009	2	
21	GB5783-M12x60	HEX HEAD BOLT	20102209	2	
22	MH5030R.00.12GZ	SHAFT SLEEVE	40507031	1	FOR GX200/EX17 PETROL ENGINE (SX)
	MH5030R.00.12YZ	SHAFT SLEEVE	40507032		FOR GX200/EX17 PETROL ENGINE (QX)
	MH5030R.00.12LE	SHAFT SLEEVE	40507034		FOR LD350 DIESEL ENGINE
	MH5030R.00.12Z	SHAFT SLEEVE	40402101		FOR 1B30 DIESEL ENGINE
23	MH4012.00.20GZ	CLUTCH	51701006	1	FOR GX200/EX17 PETROL ENGINE (SX)
	MH4012.00.20YZ	CLUTCH	51703001		FOR GX200/EX17 PETROL ENGINE (QX)
	MH5030R.00.11L	CLUTCH	52703004		FOR LD350、ELECTRIC START LD350 DIESEL ENGINE
	MH5030R.00.11Z	CLUTCH	52703006		FOR 1B30 DIESEL ENGINE
24	MH4012.00.23	WASHER	40504062	1	FOR GX200/EX17 PETROL ENGINE
	MH5030.00.31	WASHER	40504039	1	FOR LD350、ELECTRIC START LD350 DIESEL ENGINE
	MH5030R.00.31Z	WASHER	40504178	1	FOR 1B30 DIESEL ENGINE
25	GB5783-M8x35	BOLT	20102106	1	FOR GX200/EX17 PETROL ENGINE (SX)
	MH4012.00.22	BOLT	20109002	1	FOR GX200/EX17 PETROL ENGINE (QX)
	MH5030.00.22	BOLT	20109003	1	FOR LD350、ELECTRIC START LD350 DIESEL ENGINE
	GB5783-M10x30	BOLT	20102154	1	FOR 1B30 DIESEL ENGINE
26	xPA782 GATES	BELT	21201001	1	FOR GX200/EX17 PETROL ENGINE
	xPA882 GATES	BELT	21201011	1	FOR LD350、1B30 DIESEL ENGINE
27	GB70.1-M10x35	HEX HEAD SCREW M10x25	20306156	2	
28	GB93-10	SPRING WASHER 10	20509008	2	
29	GB70.1-M10x130 10.9级	SCREW	20306167	6	
30	MH5030R.00.02	VIBRATION BOX ASSY	52701001	1	
31	GB70.1-M8x20	HEX HEAD SCREW M8x20	20306102	4	
32	MH4025R.00.01-03	WHEEL FRAME	40209004	2	
33	MH5030R.00.01	BASE ASSY	40803005	1	
	MH5030R.00.01.01ZJ	CASTING BASE PLATE	40803038	1	
34	JB1002-14	COPPER WASHER	21105004	2	
35	MRS80.GZ01	PLUG	40401001	2	
36	GB889.1-M12	NUT M12	20405007	8	
37	MH4025R.00.06	WASHER	40504033	4	
38	MH4025R.00.08C	SHOCK ABSORBER	41201011	4	
39	MH5030R.00.16	RUBBER MAT	41203019	1	WELDING BASE PLATE

PARTS LIST BOMO1-A

PCR5030 SERIES

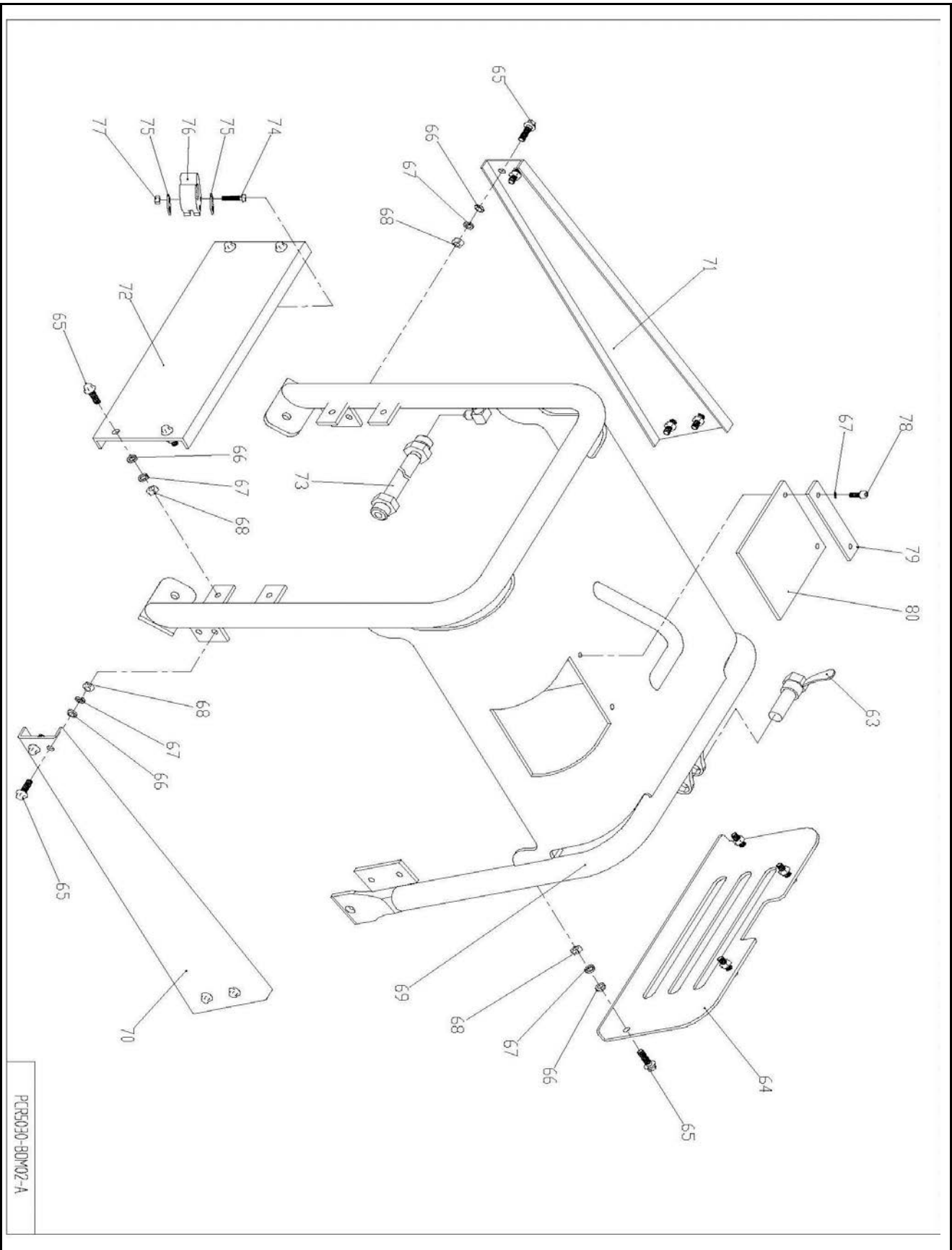
GENERAL ASSEMBLY

PCR5030-BOM01-A

39	MH5030R.00.16ZJ	RUBBER MAT	41201107	1	CASTING BASE PLATE
40	MH5030R.00.07	RUBBER PLATE	40203074	2	WELDING BASE PLATE
	MH5030R.00.07ZJ	RUBBER PLATE	40203228	2	CASTING BASE PLATE
41	GB5783-M10x35	SCREW	20102155	6	
42	MH4025R.00.04.01-04C	CASE, HYDRAULIC PUMP	40901009	1	
43	GB70.1-M8x35	SCREW	20306105	4	
44	MH5030R.00.04.02G	HANDLE ASSY	52701002	1	FOR GX200/EX17 PETROL ENGINE
	MH5030R.00.04.02L	HANDLE ASSY	52703001	1	FOR LD350、1B30 DIESEL ENGINE
	MH5030R.00.04.02LE	HANDLE ASSY	52704002	1	FOR ELECTRIC START LD350 DIESEL ENGINE
45	MH4025R.00.28	EXHAUST PIPE	41002017	1	FOR DIESEL ENGINE
46	MH4025R.00.27	PIPE CLAMP	41406024	1	
47	GB70.1-M8x35	SCREW	20306105	1	
48	GB97.1-8	FLAT WASHER 8	20501007	1	
49	GB889.1-M8	NUT M8	20405004	1	
50	GX200	PETROL ENGINE	/	1	HONDA
	EX170	PETROL ENGINE	/	1	ROBIN
	1B30	DIESEL ENGINE	/	1	HATZ
	LD350	DIESEL ENGINE	/	1	LOMBARDINI
51	MH4012.00.26	THROTTLE JOINT	41004002	1	ONLY FOR GX200 PETROL ENGINE
52	/	FLAT KEY	/	1	ENGINE PACK
53	GB5783-M8x45	HEX HEAD BOLT M8x45	20102108	4	FOR GX200/EX17 PETROL ENGINE , 1B30 DIESEL ENGINE
	GB5783-M10x45	HEX HEAD BOLT M10x45	20102157	4	FOR LD350、ELECTRIC START LD350 DIESEL ENGINE
54	GB97.1-8	FLAT WASHER 8	20501007	8	FOR GX200/EX17 PETROL ENGINE , 1B30 DIESEL ENGINE
	GB97.1-10	FLAT WASHER 10	20501009	8	FOR LD350、ELECTRIC START LD350 DIESEL ENGINE
55	GB889.1-M8	LOCK NUT M8	20405004	4	FOR GX200/EX17 PETROL ENGINE , 1B30 DIESEL ENGINE
	GB889.1-M10	LOCK NUT M10	20405006	4	FOR LD350、ELECTRIC START LD350 DIESEL ENGINE
56	GB70.1-M6x15	HEX HEAD SCREW 6X15	20306051	2	
57	GB93-6	SPRING WASHER 6	20509004	2	
58	GB97.1-6	FLAT WASHER 6	20501005	2	
59	GB70.1-M5x10	HEX HEAD SCREW 5X10	20306002	1	
60	GB97.1-5	FLAT WASHER 5	20501003	1	
61	JTKG-5	STRIP CLAMP	41406016	1	
62	MH4012.00.28C	FIXED PLATE	40203016	1	
191	GB70.3-M8x15	HEX HEAD SCREW	20308100	4	
192	MH4025R.00.32	LEFT LIMITING PLATE ASSY	40303006	1	
193	MH4025R.00.33	LEFT LIMITING PLATE ASSY	40303007	1	

**PARTS LIST BOM02-A
PCR5030 SERIES**

**PROTECTIVE FRAME
PCR5030-BOM02-A**



PCR5030-BOM02-A

**PARTS LIST BOMO2-A
PCR5030 SERIES**

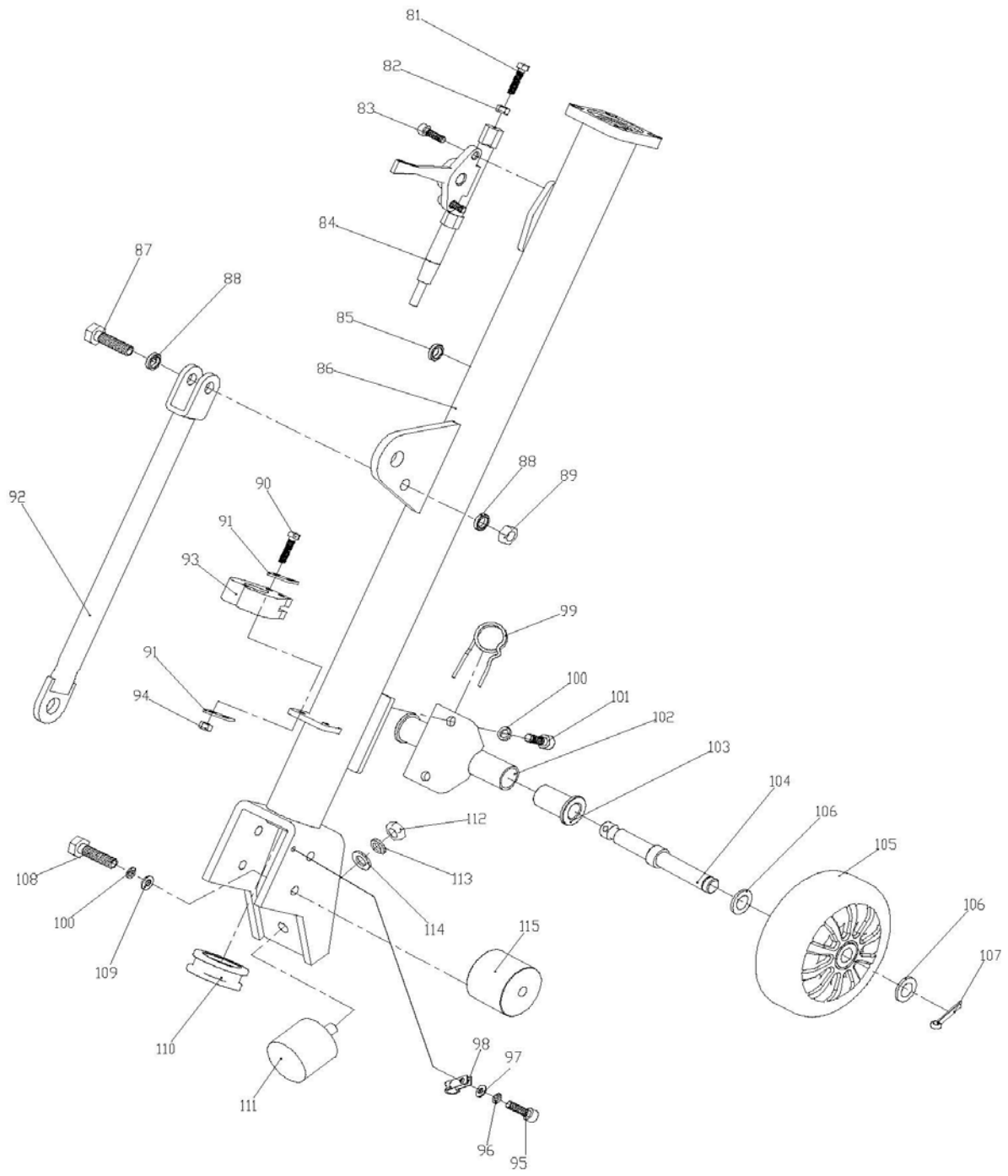
**PROTECTIVE FRAME
PCR5030-BOM02-A**

ITEM NO.	PART NO.	DESCRIPTION	ERP NO	QTY	REMARK
63	170001	BOLT TYPE LOCKING DEVICE	41403025	1	
64	MH5030.00.05-08A	COVER PLATE, BACK	40203080	1	
	MH5030.00.05-08LE	COVER PLATE, BACK	40203108	1	ONLY FOR ELECTRIC START LD350 DIESEL ENGINE
65	GB5783-M8x25	HEX HEAD BOLT	20102102	16	
66	GB97.1-8	FLAT WASHER 8	20501007	16	
67	GB93-8	SPRING WASHER 8	20509006	18	
68	GB889.1-M8	LOCK NUT	20405004	16	
69	MH5030R.00.05G-B	PROTECTIVE FRAME	52701003	1	FOR GX200/EX17 PETROL ENGINE
	MH5030R.00.05L-A	PROTECTIVE FRAME	52703002	1	FOR LD350 DIESEL ENGINE
	MH5030.00.05Z	PROTECTIVE FRAME	41003100		FOR 1B30 DIESEL ENGINE
	MH5030R.00.05LE	PROTECTIVE FRAME	52704003		ELECTRIC START LD350 DIESEL ENGINE
70	MH5030.00.05-09-02	COVER PLATE, RIGHT	40207103	1	
71	MH5030.00.05-09-01	COVER PLATE, LEFT	40207102	1	
72	MH5030.00.05-07	COVER PLATE, FRONT	40207101	1	NEUTRAL
	MH5030.00.05-07PAC	COVER PLATE, FRONT	40203384	1	MASTERPAC
73	MH4025.00.21G	OIL DRAIN HOSE	41001029		FOR GX200/EX17 PETROL ENGINE
	MH4025.00.21L	OIL DRAIN HOSE	41001030		FOR LD350, 1B30, ELECTRIC START LD350 DIESEL ENGINE
74	GB5783-M6x30	SOCKET HEAD BOLT M6X30	20102056	2	FOR DIESEL LD350
75	MH4012.00.18	CONNECTOR	40203058	2	FOR DIESEL LD350
76	MH4012.00.17C	CLAMP	41205011	1	FOR DIESEL LD350
77	GB889.1-M6	LOCK NUT	20405002	2	FOR DIESEL LD350
78	GB70.1-M8x15	HEX HEAD SCREW	20306100	2	FOR DIESEL ENGINE
79	MH4025R.00.15	RUBBER COVER PRESS PLATE	40203071	1	FOR DIESEL ENGINE
80	MH4025R.00.10	RUBBER COVER PLATE	41203050	1	FOR DIESEL ENGINE

PARTS LIST BOM03-A
PCR5030 SERIES

HANDLE

PCR5030-BOM03-A



PCR5030-BOM03-A

**PARTS LIST BOM03-A
PCR5030 SERIES**

HANDLE

PCR5030-BOM03-A

ITEM NO.	PART NO.	DESCRIPTION	ERP NO	QTY	REMARK
81	GB5783-M6x40	HEX HEAD BOLT	20102060	1	
82	GB889. 1-M6	LOCK NUT	20405002	1	
83	GB70. 3-M6x20	HEX HEAD SCREW	20308052	2	
84	MH5030R. 00. 19G-A	THROTTLE SWITCH ASSY	41403027	1	FOR GX200/EX17 PETROL ENGINE
	MH5030R. 00. 19LE	THROTTLE SWITCH ASSY	41403029	1	FOR LD350、ELECTRIC START LD350 DIESEL ENGINE
	YKID-060DF1570H035	THROTTLE SWITCH ASSY	41403019	1	1B30 DIESEL ENGINE
85	MRS62-9917	PROTECTIVE RING	41404001	2	
86	MH5030R. 00. 04. 02-01G	WELDING DRAWING OF HANDLE PARTS	40305007		FOR GX200/EX17 PETROL ENGINE
	MH5030R. 00. 04. 02-01L	WELDING DRAWING OF HANDLE PARTS	40305034	1	LD350, 1B30 DIESEL ENGINE
	MH5030R. 00. 04. 02-01LE	WELDING DRAWING OF HANDLE PARTS	40305035	1	ELECTRIC START LD350 DIESEL ENGINE
87	GB5783-M10x35	HEX HEAD BOLT	20102155	1	
88	MH4025R. 00. 04. 02-10	NYLON WASHER	41201060	2	
89	GB889. 1-M10	LOCK NUT	20405006	1	
90	GB5783-M6x30	HEX HEAD BOLT	20102056	2	
91	MH4012. 00. 18	CONNECTOR	40203058	2	
92	MH5030R. 00. 04. 02-09G	CONNECTING ROD ASSY	40407006	1	FOR GX200/EX17 PETROL ENGINE
	MH5030R. 00. 04. 02-09L	CONNECTING ROD ASSY	40407009	1	LD350, 1B30 DIESEL ENGINE
93	MH4012. 00. 17C	CLAMP	41205011	1	
94	GB889. 1-M6	LOCK NUT	20405002	2	
95	GB70. 1-M5x16	HEX HEAD SCREW	20306004	1	
96	GB93-5	SPRING WASHER 5	20509002	1	
97	GB97. 1-5	FLAT WASHER 5	20501003	1	
98	JTKG-5	STRIP CLAMP	41406016	1	
99	MH3008. 00. 23	SPRING CARD	40103010	1	
100	GB93-8	SPRING WASHER 8	20509006	6	
101	GB70. 1-M8x20	HEX HEAD SCREW	20306102	2	
102	MH4025R. 00. 04. 02-07	WHEEL ACCESSORIES	40305005	1	
103	MH4025R. 00. 04. 02-08	NYLON SLEEVE	41201058	2	
104	MH4025R. 00. 17-01	WHEEL AXLE	40406022	1	
105	MH4012. 00. 06-03	WHEEL	41405001	2	

**PARTS LIST BOM03-A
PCR5030 SERIES**

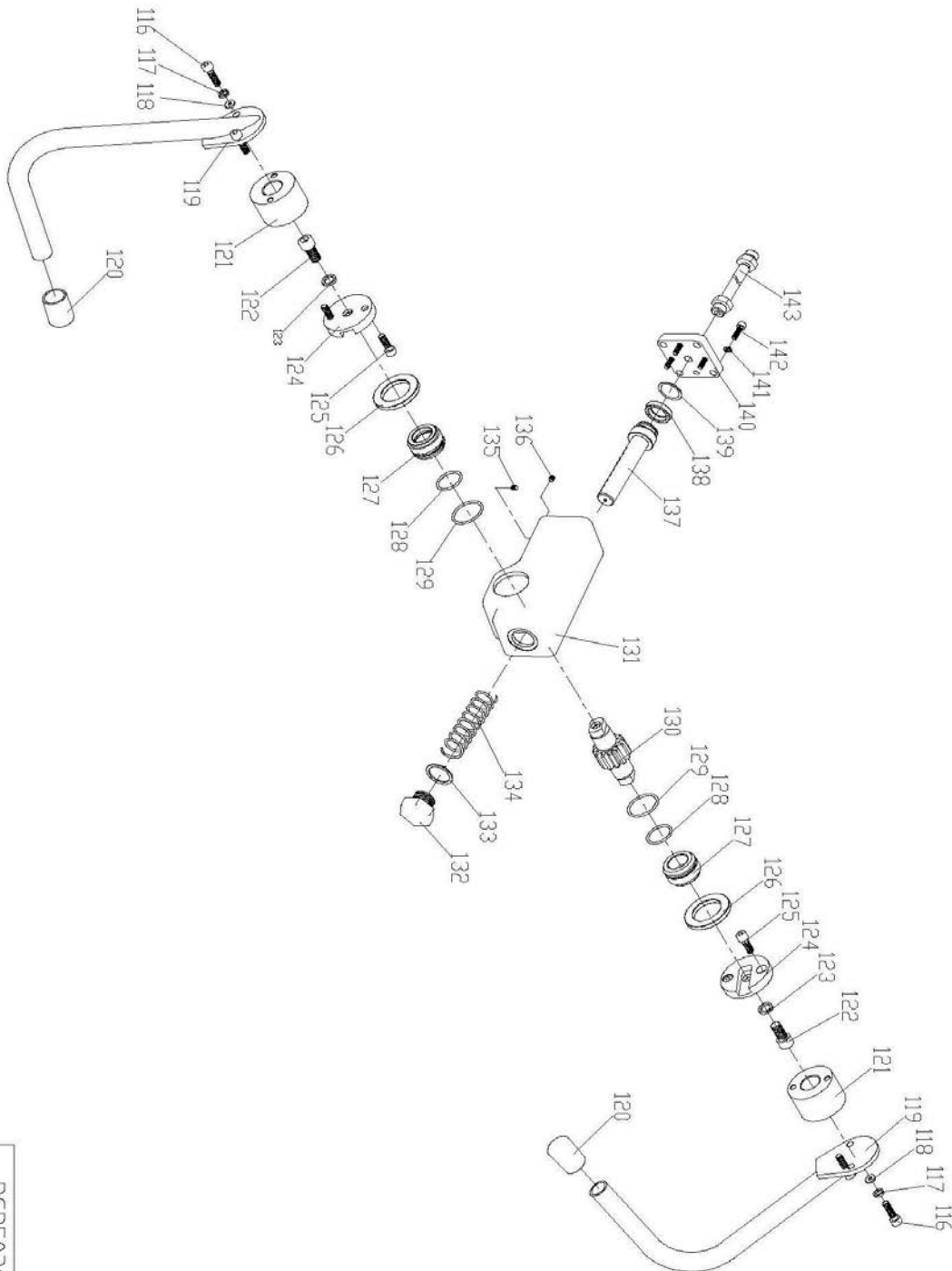
HANDLE

PCR5030-BOM03-A

106	MH4025R.00.17-02	NYLON WASHER	41201061	4	
107	GB91-4x25	PIN	20805100	2	
108	GB5783-M8x20	HEX HEAD BOLT	20102101	4	
109	GB97.1-8	FLAT WASHER 5	20501007	28	
110	MH4025R.00.04.02-11	SLEEVE	41404007	1	
111	MH4025R.00.04.02-12	RUBBER MAT	41201031	1	
112	GB889.1-M10	LOCK NUT	20405006	1	
113	GB93-10	SPRING WASHER 10	20509008	1	
114	GB97.1-10	FLAT WASHER 10	20501009	1	
115	MH4025R.00.34	UNDER HANDLE SHOCK ABSORBER	41201012	2	

**PARTS LIST BOM04-A
PCR5030 SERIES**

HYDRAULIC PUMP
PCR5030-BOM04-A



PCR5030-BOM04-A

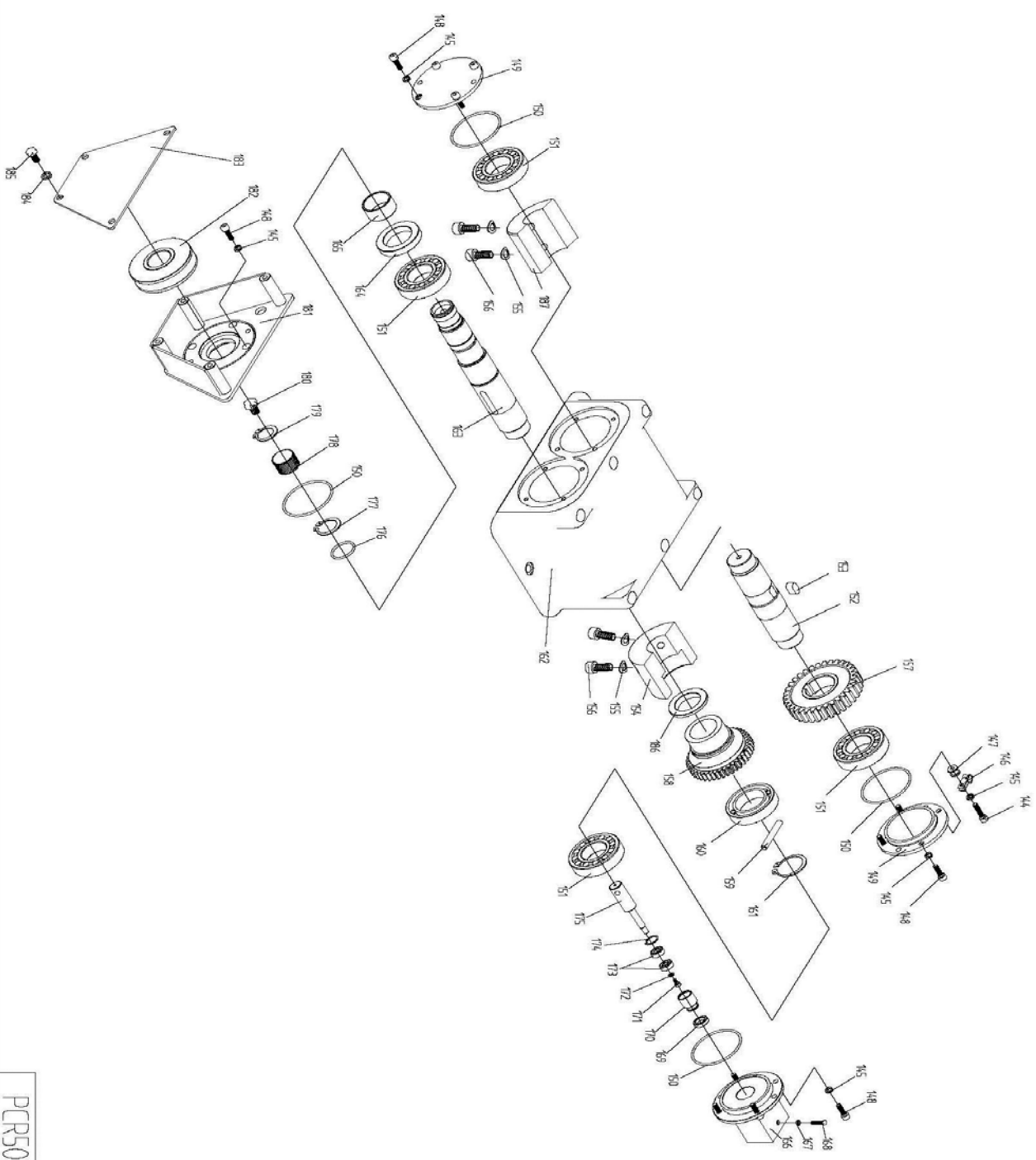
PARTS LIST BOM04-A
PCR5030 SERIES

HYDRAULIC PUMP
PCR5030-BOM04-A

ITEM NO.	PART NO.	DESCRIPTION	ERP NO	QTY	REMARK
116	GB70.1-M8x20	HEX HEAD SCERW	20306102	4	
117	GB93-8	SPRING WASHER 8	20509006	4	
118	GB97.1-8	FLAT WASHER 8	20501007	4	
119	MH4025R.00.04.01-01	HANDLE	40305003	2	
120	MH4025R.00.04.01-02	SLEEVE	41404004	2	
121	MH4025R.00.04.01-03	SHOCK ABSORBER	41201013	2	
122	GB70.1-M12x25	HEX HEAD SCERW	20306200	2	
123	GB93-12	SPRING WASHER 12	20509009	2	
124	MH4025R.00.04.01-07	SHOCK ABSORBER FIXING PLATE	40201019	2	
125	GB70.1-M8x20	HEX HEAD SCERW	20306102	4	
126	MH4025R.00.04.01-11	NYLON SLEEVE	41201057	2	
127	MH4025R.00.04.01-06	SLEEVE	40507012	2	
128	GB3452.1-25.8x2.65 硅	O RING	21101351	2	
129	GB3452.1-38.7x2.65 硅	O RING	21101358	2	
130	MH4025R.00.04.01-05	GEAR SHAFT	40601005	1	
131	MH4025R.00.04.01-04C	CASE, HYDRAULIC PUMP	40901009	1	
132	JB4450-M27x1.5	PLUG	21103003	1	
133	JB1002-27	COPPER WASHER	21105005	1	
134	MH4025R.00.04.01-10A	SPRING	40103016	1	
135	GB1016-6x6	RIVET 6X6	20704001	2	
136	GB73-M6x8	SCREW	20318005	1	
137	MH4025R.00.04.01-09B	GEAR RACK	40601006	1	
138	GB10708.1-33x24x7	SEALING PACKING	21107003	1	
139	GB1235-42x3.1(42)	O RING	21101404	1	
140	MH4025R.00.04.01-08B	SEAL PLATE	40203067	1	
141	GB93-6	SPRING WASHER 6	20509004	4	
142	GB70.1-M6x20	HEX HEAD SCREW M6X20	20306053	4	
143	MH5030R.00.20C	HYDRAULIC TUBING ASSY	41001032	1	

PARTS LIST BOM05-A
PCR5030 SERIES

VIBRATION BOX
PCR5030-BOM05-A



PCR5030-BOM05-A

PARTS LIST BOM05-A
PCR5030 SERIES

VIBRATION BOX
PCR5030-BOM05-A

ITEM NO.	PART NO.	DESCRIPTION	ERP NO	QTY	REMARK
144	GB70.1-M6x30	HEX HEAD SCERW	20306058	1	
145	GB93-6	SPRING WASHER 6	20509004	16	
146	JTKG-16	STRIP CLAMP	41406023	1	
147	MH4025R.00.29	FIXED WASHER	40504036	1	
148	GB70.1-M6x20	HEX HEAD SCERW	20306053	15	
149	MH4025R.00.02-07	BEARING COVER	40503010	2	
150	GB3452.1-71x2.65 硅	O RING	21101359	4	
151	NJ207ETC3 NSK	BEARING	21004002	4	
152	MH4025R.00.02-16	DRIVEN SHAFT	40406060	1	
153	GB1096-10x18	KEY	20901200	1	
154	MH5030R.00.02-05B	BIBRATORY BLOCK	40705030	1	
155	DIN6796-10	WASHER	20517001	4	
156	GB70.1-M10x30	HEX HEAD SCERW	20306153	4	
157	MH4025R.00.02-17	DRIVEN GEAR	40601020	1	
158	MH4025R.00.02-15	GEAR	40601019	1	
159	MH4025R.00.02-04	PIN	40402021	1	
160	GB281-16008	BEARING	21001050	1	
161	GB894.1-40	RETAINING RING	20601016	1	
162	MH3820R.00.02-13	VIBRATION BOX	40901057	1	
163	MH4025R.00.02-14	SHAFT	40406059	1	
164	GB13871-FB40x60x8	LIP SEAL	21106008	1	
165	FIR-354020	INNER BEARING	21011003	1	
166	MH4025R.00.02-06	CYLINDER COVER	40903012	1	
167	JB1002-6	COPPER WASHER	21105001	1	
168	GB5783-M6x12	HEX HEAD BOLT	20102051	1	
169	GB10708.1-25x17x6.3	SEAL RING	21107002	1	
170	MH4025R.00.02.01-02	CONNECTING SLEEVE	40508003	1	
171	GB70.1-M5x10	HEX HEAD SCERW	20306002	1	
172	GB97.1-5	FLAT WASHER 5	20501003	1	
173	608ZZ NSK	BEARING	21001009	2	

**PARTS LIST BOM05-A
PCR5030 SERIES**

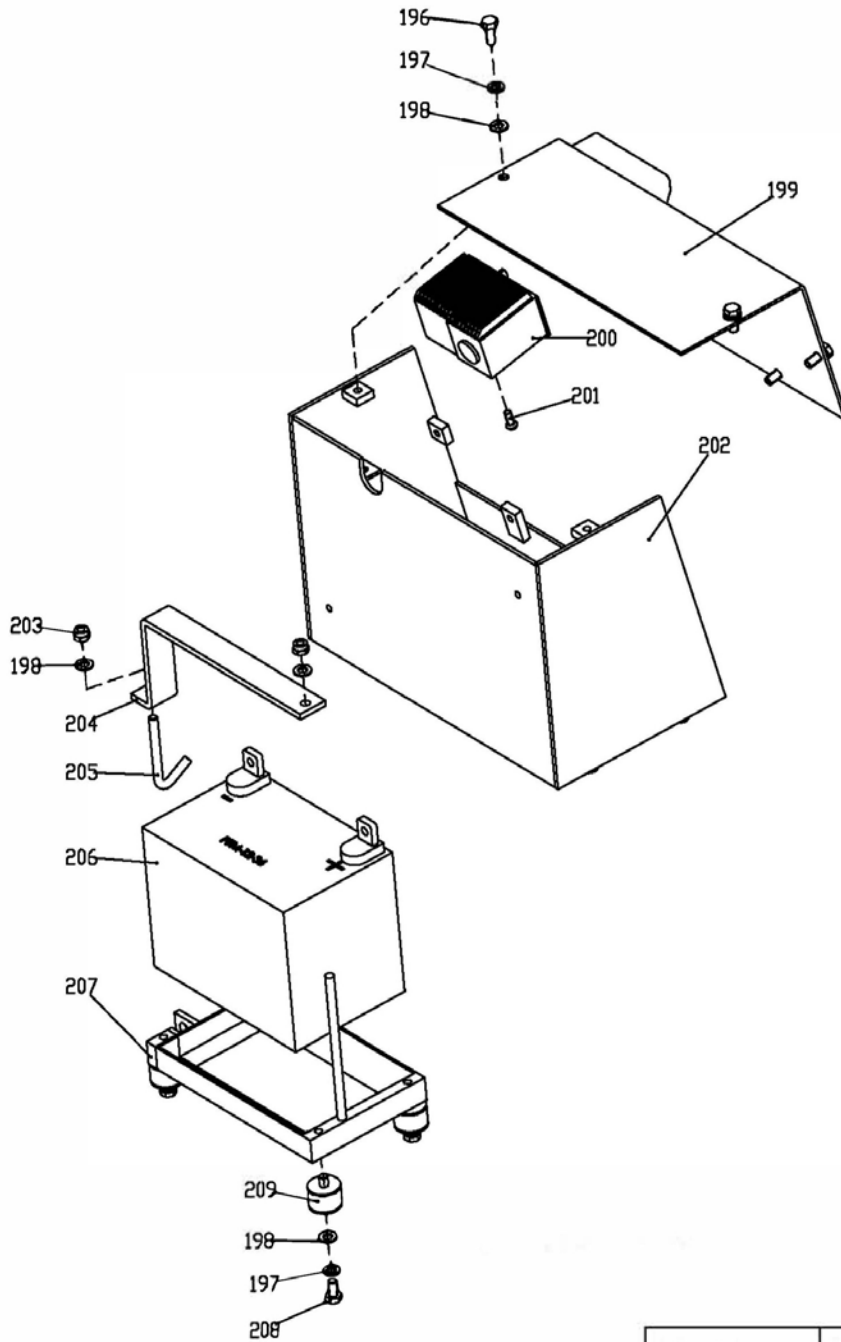
**VIBRATION BOX
PCR5030-BOM05-A**

174	GB893. 1-22	RETAINING RING	20602002	1	
175	MH4025R. 00. 02. 01-03	DRIVE SHAFT	40402104	1	
176	GB3452. 1-31. 5x2. 65 硅	O RING	21101355	1	
177	GB894. 1-35	RETAINING RING	20601014	1	
178	BN32x12	COMPENSATOR	21108003	1	
179	GB894. 1-32	RETAINING RING	20601013	1	
180	MH4025R. 00. 02-11	BOLT	40401014	1	
181	MH4025R. 00. 02. 02	PULLEY COVER ASSY	40302014	1	
	MH5030R. 00. 02. 02LE	PULLEY COVER ASSY	40302029	1	ELECTRIC START LD350 DIESEL ENGINE
182	MH4025R. 00. 02-10	PULLEY	40607011	1	
183	MH4025R. 00. 02. 02-04	COVER PLATE	40203060	1	
184	GB93-8	SPRING WASHER 8	20509006	4	
185	GB5783-M8x15	HEX HEAD BOLT	20102100	4	
186	MH4025R. 00. 02-12	WASHER	40201070	1	
187	MH5030R. 00. 02-05A	VIBRATORY BLOCK	40705029	1	

PARTS LIST BOM06-A
PCR5030 SERIES

ELECTRICAL STARTING
PCR5030-BOM06-A

PCR5030-BOM06-A



**PARTS LIST BOM06-A
PCR5030 SERIES**

**ELECTRICAL STARTING
PCR5030-BOM06-A**

ITEM NO.	PART NO.	DESCRIPTION	ERP NO	QTY	REMARK
196	GB5783-M8x20	HEX HEAD BOLT	20102101	2	
197	GB93-8	SPRING WASHER 8	20509006	4	
198	GB97.1-8	FLAT WASHER 8	20501007	4	
199	MH5030R.00.10-03HJ	BATTERY BOX COVER	40207171	1	
200	/	SWITCH	/	1	
201	GB818-M5X10	SCREW	20301051	4	
202	MH5030R.00.10-01LE	BATTERY BOX	40303038	1	
203	GB889.1-M8	LOCK NUT	20405004	2	
204	MH5030R.00.10-02.02LE	PRESS PLATE	40203175	1	
205	MH5030R.00.10-02.03LE	STUD	40408003	1	
206	(12V, 36Ah)	BATTERY	41408002	1	
207	MH5030R.00.10-02LE	BATTERY FIXING MOUNT	52704009	1	
208	GB5783-M8x16	HEX HEAD BOLT	20102116	4	
209	MH6040R.03.10.07A	SHOCK ABSORBER	41201034	4	



MASTERPAC USA

1260 Old Franklin Turnpike
Suite B, Rocky Mount, Virginia 24151, USA
Tel: +1-540-483-2606
E-mail: usa@masterpac.eu

MASTERPAC ASIA:

Add. Weisi Road, Baohe Industrial Estate, P.R.C.
Tel. 86-551-64846601, 64846580
Fax. 86-551-64846616, 64846626
E-mail. sales@masterpac.eu
www.masterpac.eu